



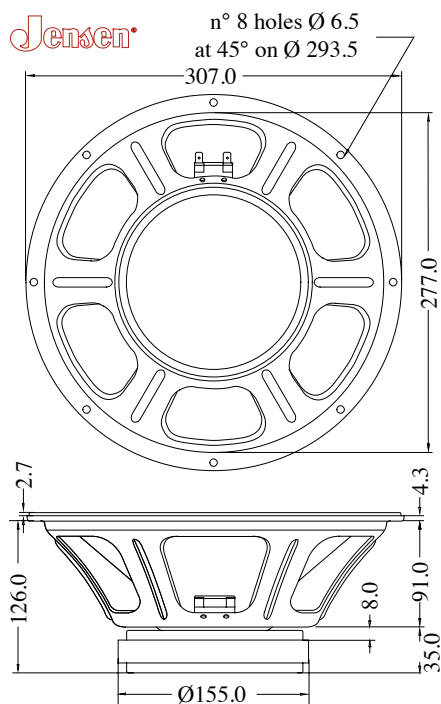
12" - 100 W Jet Series Loudspeaker  
12" Raptor 100 - 8Ω / 16Ω

General Characteristics			
Nominal Overall Diameter		12 mm	0.47 in
Nominal Voice Coil Diameter		50 mm	2 in
Magnet Weight		1450 g	51 oz
Overall Weight		4.5 kg	9.92 lbs
Flux Density			1.15 T

Thiele-Small Parameters		8Ω	16Ω	
Voice Coil DC Resistance	$R_E$	6.72	12.15	Ω
Resonance Frequency	$f_S$	77	76.5	Hz
Mechanical Q Factor	$Q_{MS}$	12.41	13.57	
Total Q Factor	$Q_{TS}$	0.45	0.59	
Mechanical Moving Mass	$M_{MS}$	31.1	30.4	g
Mechanical Compliance	$C_{MS}$	137	142	μm/N
Force Factor	$BxL$	14.72	16.91	Wb/m
Equivalent Acoustic Volume	$V_{AS}$	47	48.4	lt.
Diaphragm Area	$S_D$	490.9	490.9	cm <sup>2</sup>
Voice Coil Inductance @ 1kHz	$L_E$	0.8	1.15	mH
Electrical Q Factor	$Q_{ES}$	0.47	0.62	

Constructive Characteristics			
Magnet			Ferrite
Voice Coil Winding			Copper
Voice Coil Former			Nomex
Cone Material			Paper
Surround Material			Integrated Paper
Dust Dome Material			Non-treated Cloth
Basket Material			Pressed Sheet Steel

Electrical Characteristics		8Ω	16Ω	
Nominal Impedance		8	16	Ω
Rated Power		100	100	W
Musical Power		200	200	W
Sensitivity@1W,1m		99.4	98.6	dB

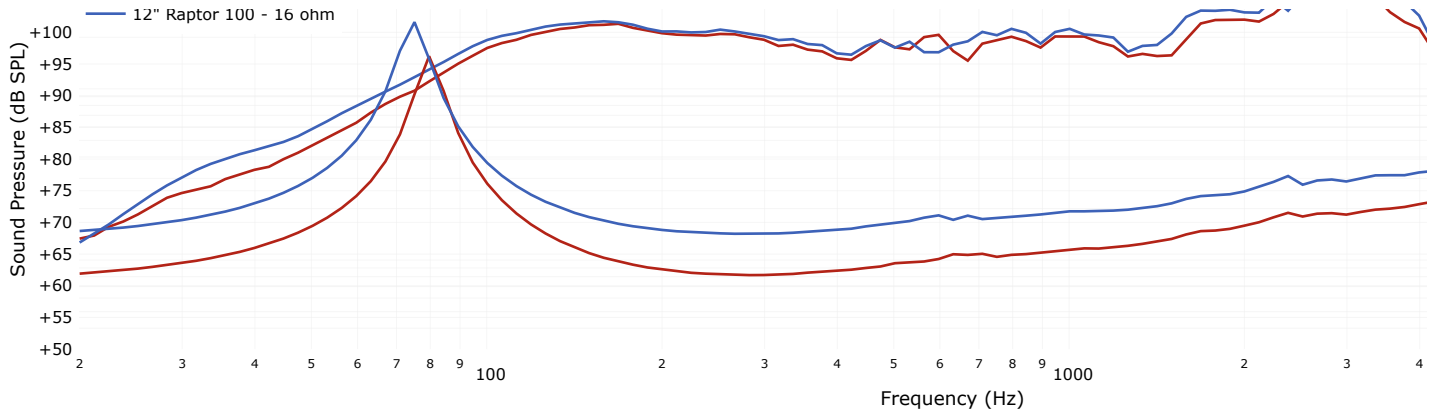


Note: all dimensions are in mm.

Frequency Response on IEC Baffle (DIN45575) @ 1W, 1 m - Free Air Impedance

+110  
+105 — 12" Raptor 100 - 8 ohm





Due to continuing product improvement, the features and the design are subject to change without notice.  
Jensen Loudspeakers · website: [www.jensentone.com](http://www.jensentone.com)

12/11/2022 - 06:56