



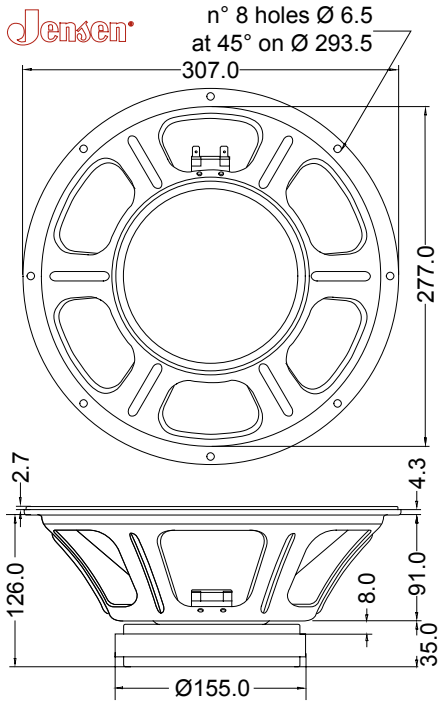
12" - 75 W Jet Series Loudspeaker
12" Nighthawk 75 - 8Ω / 16Ω

General Characteristics			
Nominal Overall Diameter		307 mm	12 in
Nominal Voice Coil Diameter		44 mm	1.73 in
Magnet Weight		1450 g	51 oz
Overall Weight		4.3 kg	9.48 lbs
Flux Density			1.29 T
Voice Coil Winding Depth		10 mm	0.39 in
Magnetic Gap Depth		8 mm	0.31 in

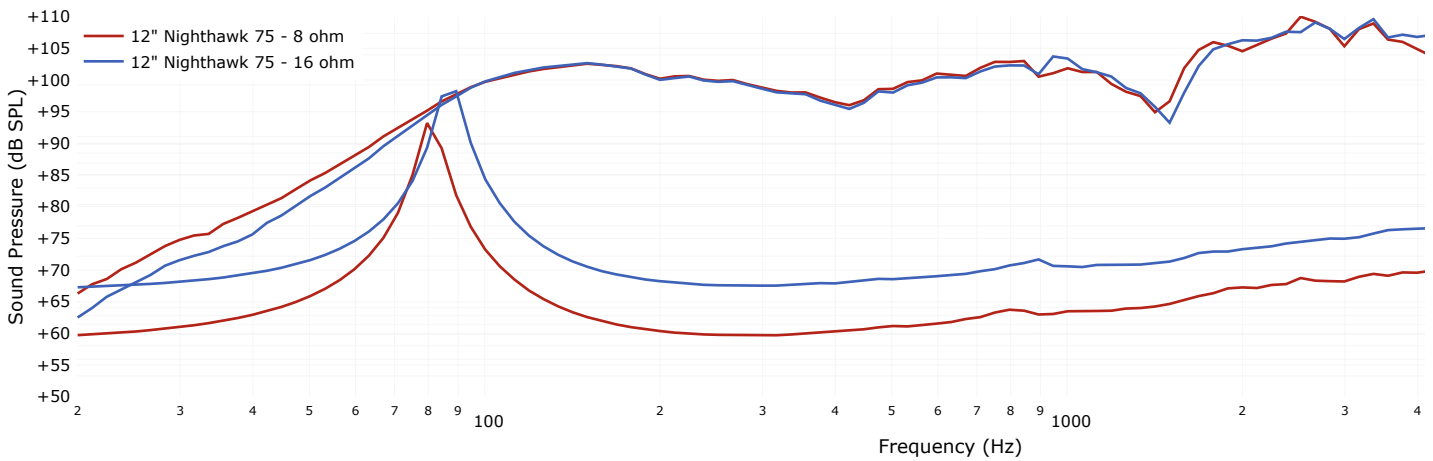
Thiele-Small Parameters		8Ω	16Ω	
Voice Coil DC Resistance	R_E	6.06	12.04	Ω
Resonance Frequency	f_s	83	88.4	Hz
Mechanical Q Factor	Q_{MS}	13.2	13.18	
Total Q Factor	Q_{TS}	0.64	0.72	
Mechanical Moving Mass	M_{MS}	29.7	27.6	g
Mechanical Compliance	C_{MS}	124	118	μm/N
Force Factor	B_{XL}	11.79	15.57	Wb/m
Equivalent Acoustic Volume	V_{AS}	42.4	40	lt.
Maximum Linear Displacement	X_{MAX}	±1		mm
Reference Efficiency	η_0	3.42		%
Diaphragm Area	S_D	490.9	490.9	cm ²
Losses Electrical Resistance	R_{ES}	159.7		Ω
Voice Coil Inductance @ 1kHz	L_E	0.62	0.81	mH
Electrical Q Factor	Q_{ES}	0.67	0.76	

Constructive Characteristics			
Magnet			Ferrite
Voice Coil Winding			Aluminum
Voice Coil Former			Fiberglass
Cone Material			Paper
Surround Material			Integrated Paper
Dust Dome Material			Non-treated Cloth
Basket Material			Pressed Sheet Steel
Surround Treatment			Yes

Electrical Characteristics		8Ω	16Ω	
Nominal Impedance		8	16	Ω
Rated Power		75	75	W
Musical Power		150	150	W
Sensitivity@1W,1m		98.8	98.9	dB



Frequency Response on IEC Baffle (DIN45575) @ 1W, 1 m - Free Air Impedance



Due to continuing product improvement, the features and the design are subject to change without notice.
Jensen Loudspeakers · website: www.jensentone.com

12/04/2022 - 19:52