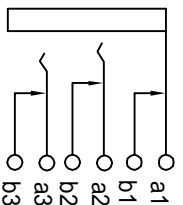
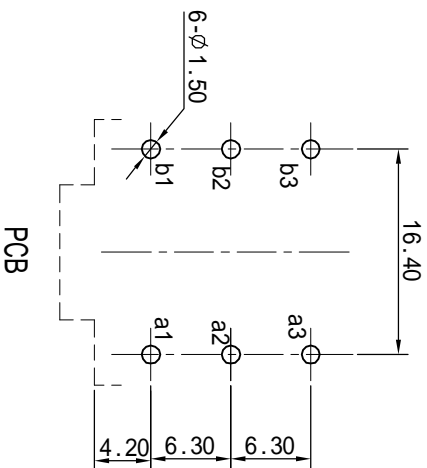
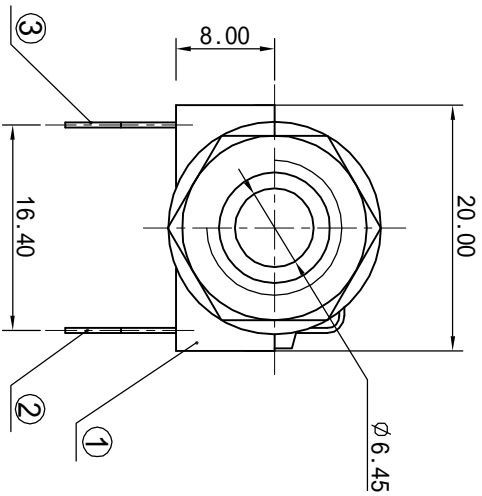
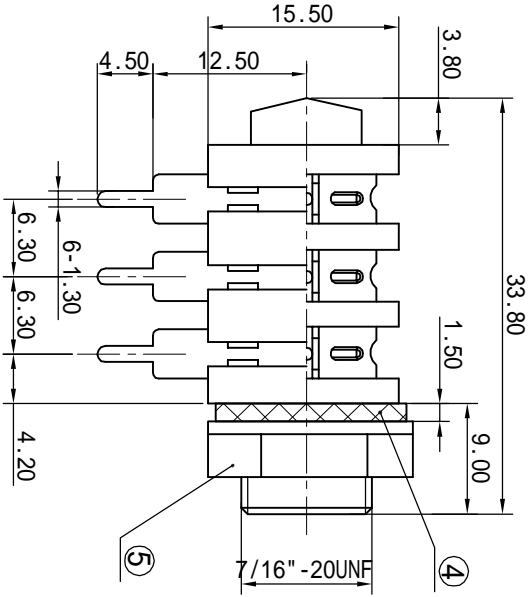


ALLOWANCE	
UNDER 3	± 0.1
3 TO 6	± 0.15
6 TO 15	± 0.2
15 TO 50	± 0.25
50 OVER	± 0.3



SCHMATIC

Specifications:
 Rating :DC 50V,1A.
 Force:5-40N.
 Contact resistance:
 Less than30mΩ.
 Insulation resistance:
 Over 100MΩ on DC 500V measured.
 Voltage withstand :
 AC 500V,For 1 minute.

5	WASHER	ABS 94HB	1	BLACK
4	NUT	PA66	1	BLACK
3	TERMINAT-B	BRASS t=0.4	3	Ag PLATED
2	TERMINAT-A	BRONZE t=0.4	3	Ag PLATED
1	HOUSE	PA66	1	BLACK
NO:	PART NAME	MATERIAL	QTY	FINISHING

MODEL NO : SJ-6306-6P
 TYPE : 6.35 PHONE SOCKET
 MATERIAL NO :
 PROJECTION

ALLOWANCE :
 UNIT : mm
 SCALE :
 DRAWN BY :
 CHECKED BY :
 APPROVED BY :
 ZHENGWEI INDUSTRY (HK) CO., LIMITED