

## 12" - 200W Ceramic Guitar Loudspeaker

C 12 K2 - 8 Ω

Code ZJ06320

### GENERAL CHARACTERISTICS

Nominal Overall Diameter .....	307	mm
Nominal Voice Coil Diameter .....	50	mm
Magnet Weight .....	1450	g
Flux Density.....	1.15	T
Weight.....	4.51	Kg

### THIELE-SMALL PARAMETERS

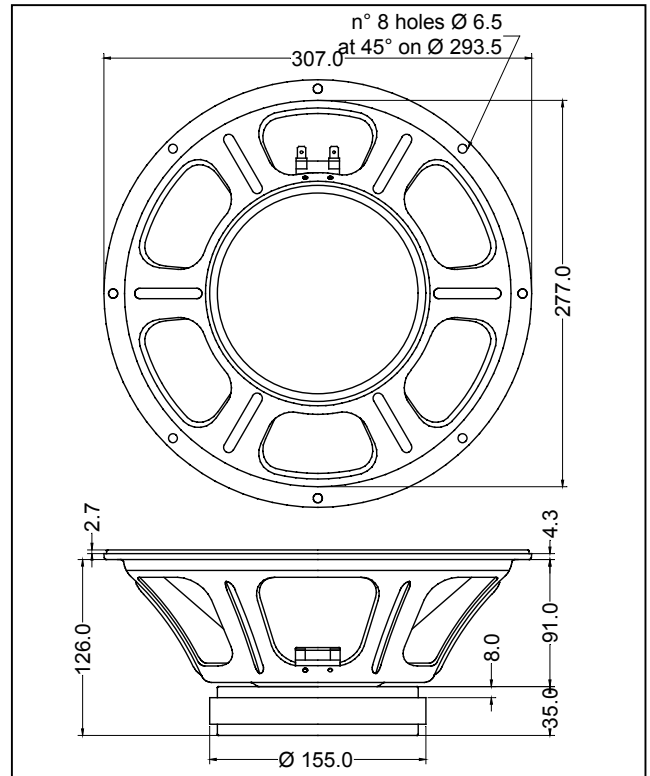
Voice Coil DC Resistance .....	$R_E$	6.70	Ω
Resonance Frequency .....	$f_s$	77.0	Hz
Mechanical Q Factor.....	$Q_{MS}$	10.92	
Electrical Q Factor.....	$Q_{ES}$	0.41	
Total Q Factor .....	$Q_{TS}$	0.40	
Mechanical Moving Mass .....	$M_{MS}$	26.3	g
Mechanical Compliance .....	$C_{MS}$	164	μm/N
Force Factor .....	$B \times l$	14.14	Wb/m
Equivalent Acoustic Volume.....	$V_{AS}$	55.6	lt.
Maximum Linear Displacement ....	$X_{MAX}$	+/-1.0	mm
Reference Efficiency .....	$\eta_0$	5.82	%
Diaphragm Area .....	$S_D$	490.8	cm <sup>2</sup>
Losses Electrical Resistance.....	$R_{ES}$	170.0	Ω
Voice Coil Inductance @ 1kHz .....	$L_E$	0.84	mH

### CONSTRUCTIVE CHARACTERISTICS

Magnet.....	Ferrite
Voice Coil Winding.....	Copper
Voice Coil Former.....	Nomex
Cone .....	Paper
Surround.....	Paper - Integrated
Dust Dome .....	Non Treated Cloth
Basket .....	Pressed Sheet Steel

### ELECTRICAL CHARACTERISTICS

Nominal Impedance.....	8	Ω
Musical Power .....	200	W
Rated Power* .....	100	W
Sensitivity @ 1 W, 1 m .....	100.5	dB



\*rated power measured with 2 hours test with pink noise signal, 6 dB crest factor, loudspeaker mounted on enclosure

Frequency Response on IEC Baffle (DIN 45575) @ 1 W, 1 m - Impedance

